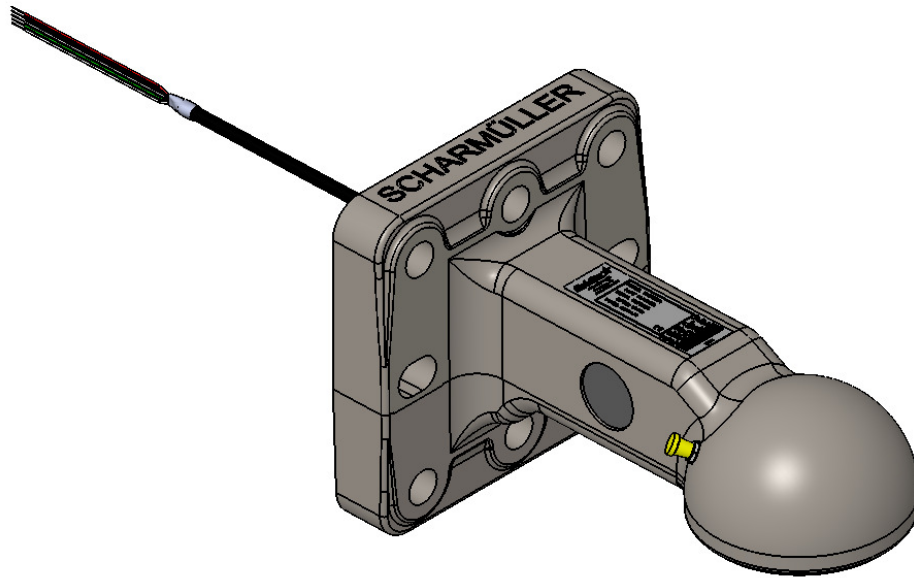


THIS DOCUMENT IS FOR REFERENCE ONLY
DIMENSIONS ARE SUBJECT TO CHANGE

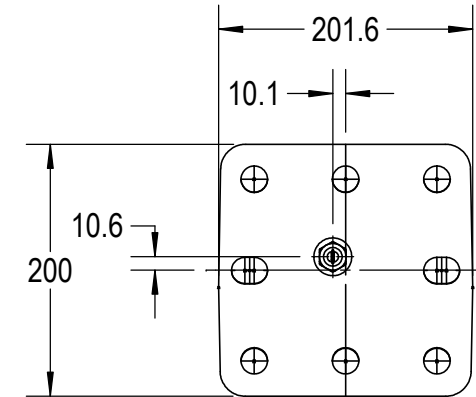
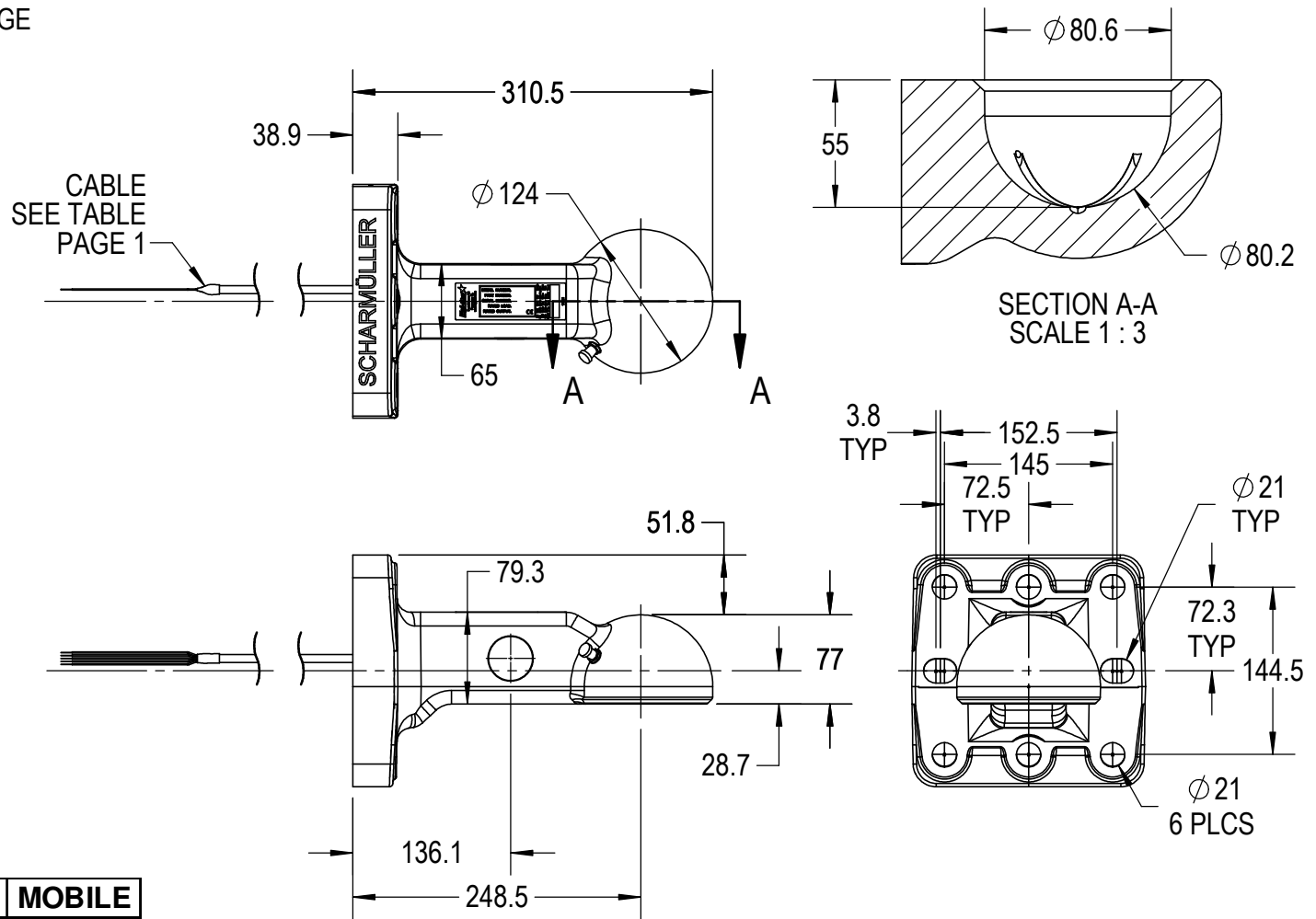


FLANGED CLEVIS
145 X 145

Model	-	FLANGED CLEVIS
Part Number(s)	-	410633
Rated Load	lb (kg)	8,818 (4,000)
Rated Output	mV/V	0.4409 ± 0.003
Zero Balance	mV/V	-0.015 to + 0.020
Input Impedance	Ω	390 ± 25
Output Impedance	Ω	354 ± 3
Excitation	V	5 to 15
Nonlinearity	%RO	± 0.15
Hysteresis	%RO	± 0.15
Temperature Effect on Sensitivity	% / °C	± 0.005
Temperature Effect on Zero Balance	%RO / °C	± 0.009
Compensated Temperature Range	°C	N/A
Operational Temperature Range	°C	-40 to +80
Cable Length(s)	ft (m)	16' (4.9m)
Insulation Resistance	MΩ	> 5000
Excitation (+)	-	Red
Excitation (-)	-	Black
Signal (+)	-	White
Signal (-)	-	Green
Shield	-	Shield

					DIGI★STAR <small>TOPCON POSITIONING GROUP</small>		DRAWING TITLE			
					W5527 HWY 106, FORT ATKINSON, WI 53538		CELL-FLANGED CLEVIS SB-16			
					UNLESS OTHERWISE SPECIFIED DIMENSIONS ARE IN INCHES TOLERANCES ARE:		DATE 04/05/16		MATERIAL ALLOY STEEL	
					DECIMAL HOLE DIAMETER ± N/A ANGLE ± N/A		SCALE 1:4		DRAWN BY DJF	
							FINISH PAINT BLACK			
A	15D0031	RELEASED	04/08/16	DJF			SHEET 1 OF 3		SIZE A	DRAWING NUMBER 410633
REV	NUMBER	DESCRIPTION	DATE	CKD	DO NOT SCALE DRAWING					

THIS DOCUMENT IS FOR REFERENCE ONLY
DIMENSIONS ARE SUBJECT TO CHANGE

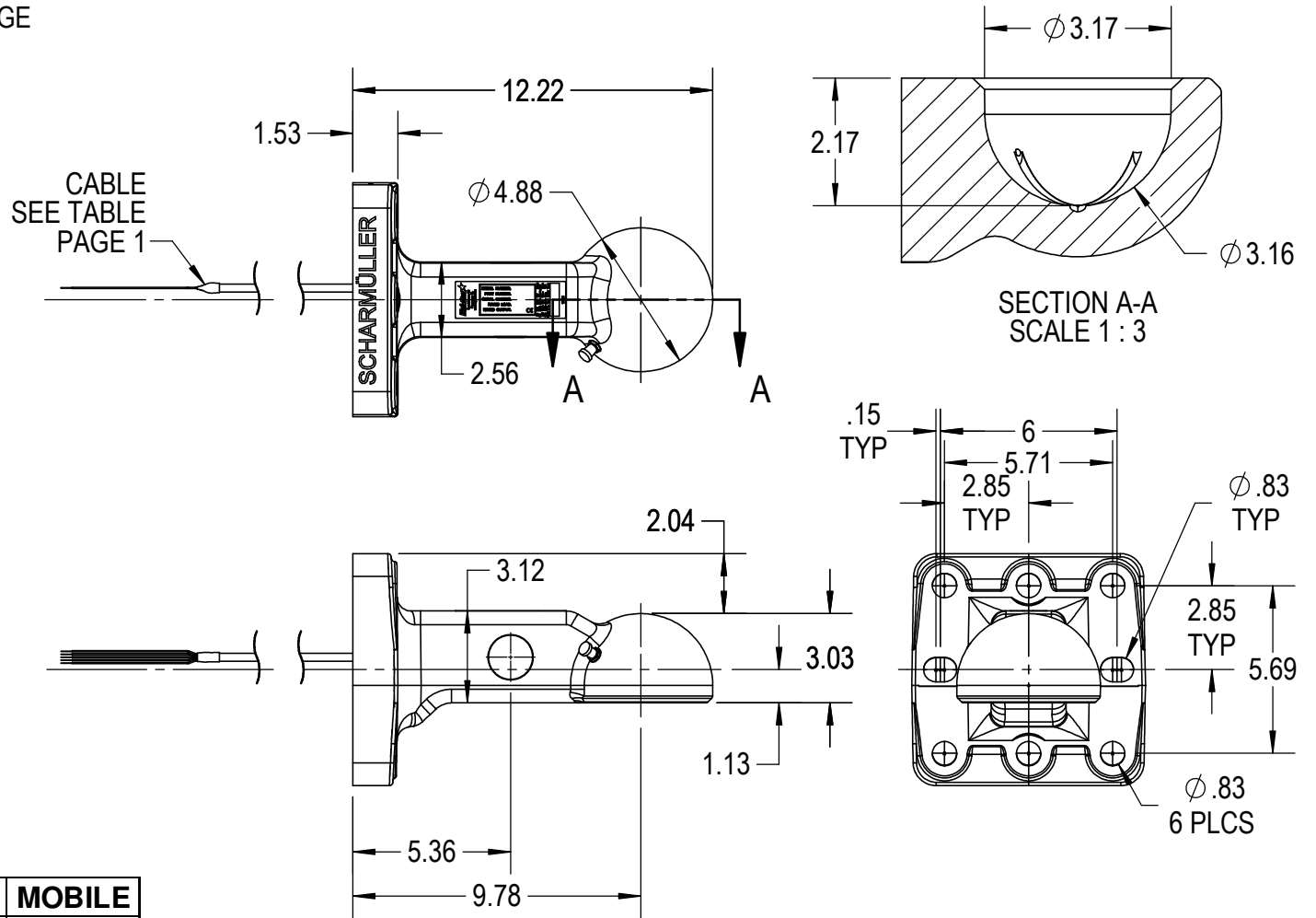


SPECIFICATIONS	STATIC	MOBILE
RATED LOAD, KG	N/A	4000
RATED OUTPUT, mV/V	N/A	0.441

SEE DOCUMENT D3612 FOR ADDITION MOUNTING GUIDELINES

				DIGI★STAR TOPCON POSITIONING GROUP		DRAWING TITLE	
				W5527 HWY 106, FORT ATKINSON, WI 53538		CELL-FLANGED CLEVIS SB-16	
				UNLESS OTHERWISE SPECIFIED DIMENSIONS ARE IN INCHES TOLERANCES ARE:		DATE 04/05/16	
				DECIMAL HOLE DIAMETER ± N/A		MATERIAL ALLOY STEEL	
				ANGLE ± N/A		FINISH PAINT BLACK	
				SCALE 1:6		DRAWN BY DJF	
A	15D0031	RELEASED	04/08/16	DJF	SHEET 2 OF 3		DRAWING NUMBER 410633-M
REV	NUMBER	DESCRIPTION	DATE	CKD	DO NOT SCALE DRAWING		SIZE A

THIS DOCUMENT IS FOR REFERENCE ONLY
DIMENSIONS ARE SUBJECT TO CHANGE



SPECIFICATIONS	STATIC	MOBILE
RATED LOAD, LBS	N/A	8818
RATED OUTPUT, mV/V	N/A	0.441

SEE DOCUMENT D3612 FOR ADDITION MOUNTING GUIDELINES

				DIGI★STAR — TOPOON POSITIONING GROUP —		DRAWING TITLE	
				W5527 HWY 106, FORT ATKINSON, WI 53538		CELL-FLANGED CLEVIS SB-16	
				UNLESS OTHERWISE SPECIFIED DIMENSIONS ARE IN INCHES TOLERANCES ARE:		DATE 04/05/16	
				DECIMAL HOLE DIAMETER ± N/A ANGLE ± N/A		MATERIAL ALLOY STEEL	
				SCALE 1:6		DRAWN BY DJF	
				DATE 04/08/16		FINISH PAINT BLACK	
				CKD DJF		SHEET 3 OF 3	
				DO NOT SCALE DRAWING		DRAWING NUMBER 410633	
A	15D0031	RELEASED	04/08/16	DJF			
REV	NUMBER	DESCRIPTION	DATE	CKD			