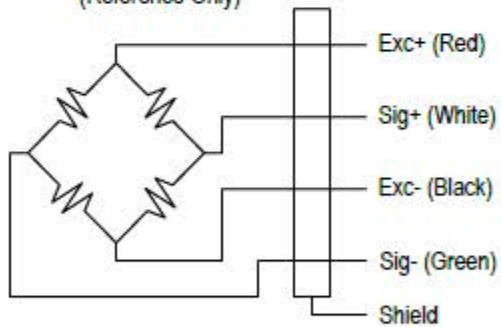


9.5M / 31.2FT



SBO
SHEAR BEAM

Wiring Schematic Diagram
(Reference Only)



Model	-	SBO-A
Part Number(s)	-	LCSBO12T31.2FT
Material		Alloy Steel
Rated Load	lb (kg)	26,455 (12,000)
Rated Output	mV/V	2.0 ± 0.002
Zero Balance	%FS	± 1
Input Impedance	Ω	400 ± 20
Output Impedance	Ω	352 ± 3
Excitation	V	10 to 15
Total Error	%FS	± 0.1
Maximum Safe Overload	%FS	150
Ultimate Overload	%FS	200
Compensated Temperature Range	°C	-10 to +40
Operational Temperature Range	°C	-30 to +70
Protection Class	-	IP67
Cable Length(s)	-	31.2 FT (9.5 m)
Insulation Resistance	MΩ	> 5000
Excitation (+)	-	Red
Excitation (-)	-	Black
Signal (+)	-	White
Signal (-)	-	Green
Shield	-	Shield



DRAWING TITLE

CELL 12T-9.5M W/GUARD LFT

UNLESS OTHERWISE SPECIFIED
DIMENSIONS ARE IN INCHES
TOLERANCES ARE:

DECIMAL ± N/A
HOLE DIAMETER ± N/A
ANGLE ± N/A

DATE

26-4-2024

MATERIAL

ALLOY STEEL

SCALE

1:3

DRAWN BY

P.B.

FINISH

-

SHEET

1

SIZE

A

DRAWING NUMBER

REV	NUMBER	DESCRIPTION	DATE	CKD

DO NOT SCALE DRAWING