
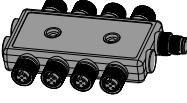


## Features

<p><i>R50 Model</i></p> 	<p><i>R95 Model</i></p> 	<ul style="list-style-type: none"> <li>• Conjoin multiple devices together into one connector</li> <li>• Rugged design; easy installation with no assembly or individual wiring required</li> <li>• 5-pin M12 male home-run quick-disconnect connector</li> <li>• 5-pin M12 female quick-disconnect connectors</li> <li>• Rugged overmolded design meets IP65, IP67, and IP68</li> </ul>
---	---	--

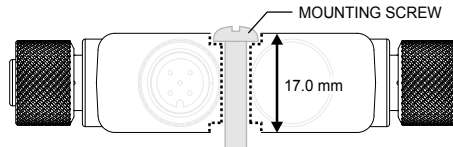
## Models

Model	Ports	Home-run Connector	Wiring
R50-4M125-M125Q-P	(4) Integral 5-pin M12 female quick-disconnect connectors	(1) Integral 5-pin M12 male quick-disconnect connector	Parallel
R95-8M125-M125Q-P	(8) Integral 5-pin M12 female quick-disconnect connectors		

## Mechanical Installation

Install the Molded Junction Block to allow access for functional checks, maintenance, and service or replacement.

All mounting hardware is supplied by the user. Fasteners must be of sufficient strength to guard against breakage. Use of permanent fasteners or locking hardware is recommended to prevent the loosening or displacement of the device. The mounting hole (4.5 mm) in the Molded Junction Block accepts M4 (#8) hardware. See the figure below to help in determining the minimum screw length.

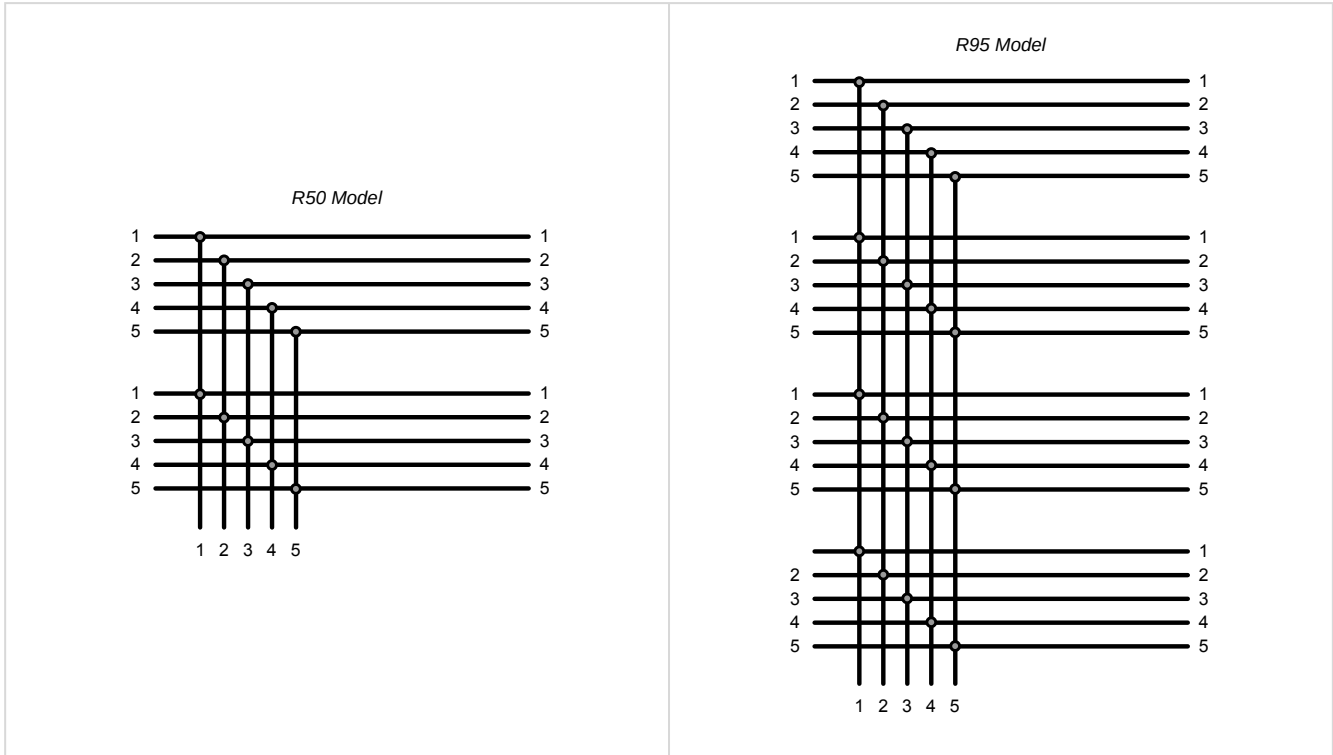


**NOTE:** The dotted line indicates the profile of the counterbore.



**CAUTION:** Do not overtighten the Molded Junction Block's mounting screw during installation. Overtightening can affect the performance of the Molded Junction Block.

## Wiring



## Specifications

**Voltage Input Range**  
30 V DC

**Maximum Current**  
4 A

**Construction**  
Coupling Material: Nickel-plated brass  
Housing Body: TPU black

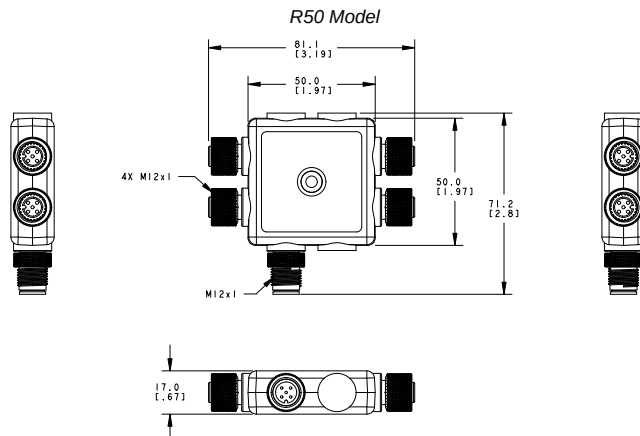
**Vibration and Mechanical Shock**  
Meets IEC 60068-2-6 requirements (Vibration: 10 Hz to 55 Hz, 0.5 mm amplitude, 5 minutes sweep, 30 minutes dwell)  
Meets IEC 60068-2-27 requirements (Shock: 15G 11 ms duration, half sine wave)

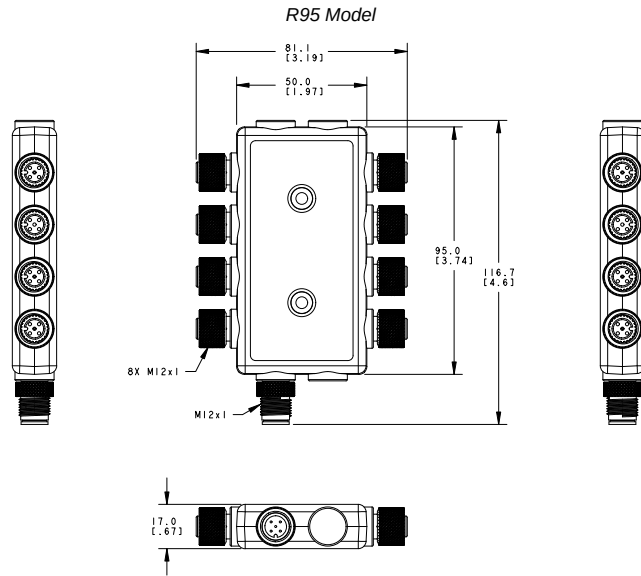
**Environmental Ratings**  
IP65, IP67, IP68

**Operating Conditions**  
-40 °C to +70 °C (-40 °F to +158 °F)  
90% at +70 °C maximum relative humidity (non-condensing)  
**Storage Temperature:** -40 °C to +80 °C (-40 °F to +176 °F)

## Dimensions

All measurements are listed in millimeters [inches], unless noted otherwise.





## Accessories

## Cordsets

5-Pin Threaded M12 Cordsets—Double Ended					
Model	Length	Style	Dimensions	Pinout (Male)	Pinout (Female)
MQDEC-501SS	0.31 m (1.02 ft)	Male Straight/ Female Straight			
MQDEC-503SS	0.91 m (2.99 ft)				
MQDEC-506SS	1.83 m (6 ft)				
MQDEC-512SS	3.66 m (12 ft)				
MQDEC-515SS	5 m (16.4 ft)				
MQDEC-530SS	9 m (29.5 ft)				
MQDEC-550SS	15 m (49.2 ft)				

1 = Brown  
2 = White  
3 = Blue

4 = Black  
5 = Gray

5-Pin Threaded M12 Cordsets—Double Ended					
Model	Length	Style	Dimensions	Pinout (Male)	Pinout (Female)
MQDEC-501RS	0.31 m (1.02 ft)	Male Right-angle/ Female Straight			
MQDEC-503RS	0.91 m (2.99 ft)				
MQDEC-506RS	1.83 m (6 ft)				
MQDEC-512RS	3.66 m (12 ft)				

1 = Brown  
2 = White  
3 = Blue

4 = Black  
5 = Gray

4-Pin Threaded M12 Cordsets—Double Ended					
Model	Length	Style	Dimensions	Pinout	
MQDEC-401SS	0.31 m (1 ft)	Male Straight / Female Straight		<p>Female</p> <p>Male</p> <p>1 = Brown 2 = White 3 = Blue 4 = Black</p>	
MQDEC-403SS	0.91 m (2.99 ft)				
MQDEC-406SS	1.83 m (6 ft)				
MQDEC-412SS	3.66 m (12 ft)				
MQDEC-415SS	4.58 m (15 ft)				
MQDEC-420SS	6.10 m (20 ft)				
MQDEC-430SS	9.14 m (30.2 ft)				
MQDEC-450SS	15.2 m (49.9 ft)				
MQDEC-403RS	0.91 m (2.99 ft)	Male Right-Angle / Female Straight		<p>Female</p> <p>Male</p> <p>1 = Brown 2 = White 3 = Blue 4 = Black</p>	
MQDEC-406RS	1.83 m (6 ft)				
MQDEC-412RS	3.66 m (12 ft)				
MQDEC-420RS	6.10 m (20 ft)				
MQDEC-430RS	9.14 m (30.2 ft)				
MQDEC-450RS	15.2 m (49.9 ft)				
MQDEC-403RR	0.9 m (2.9 ft)	Male Right-Angle / Female Right-Angle			<p>Female</p> <p>Male</p> <p>1 = Brown 2 = White 3 = Blue 4 = Black</p>
MQDEC-406RR	1.8 m (5.9 ft)				
MQDEC-412RR	3.6 m (11.8 ft)				
MQDEC-420RR	6.1 m (20 ft)				

## Maintenance and Service

Do not use alcohol-based cleaning agents. The Molded Junction Block is maintenance-free.

## Banner Engineering Corp Limited Warranty

Banner Engineering Corp. warrants its products to be free from defects in material and workmanship for one year following the date of shipment. Banner Engineering Corp. will repair or replace, free of charge, any product of its manufacture which, at the time it is returned to the factory, is found to have been defective during the warranty period. This warranty does not cover damage or liability for misuse, abuse, or the improper application or installation of the Banner product.

**THIS LIMITED WARRANTY IS EXCLUSIVE AND IN LIEU OF ALL OTHER WARRANTIES WHETHER EXPRESS OR IMPLIED (INCLUDING, WITHOUT LIMITATION, ANY WARRANTY OF MERCHANTABILITY OR FITNESS FOR A PARTICULAR PURPOSE), AND WHETHER ARISING UNDER COURSE OF PERFORMANCE, COURSE OF DEALING OR TRADE USAGE.**

This Warranty is exclusive and limited to repair or, at the discretion of Banner Engineering Corp., replacement. **IN NO EVENT SHALL BANNER ENGINEERING CORP. BE LIABLE TO BUYER OR ANY OTHER PERSON OR ENTITY FOR ANY EXTRA COSTS, EXPENSES, LOSSES, LOSS OF PROFITS, OR ANY INCIDENTAL, CONSEQUENTIAL OR SPECIAL DAMAGES RESULTING FROM ANY PRODUCT DEFECT OR FROM THE USE OR INABILITY TO USE THE PRODUCT, WHETHER ARISING IN CONTRACT OR WARRANTY, STATUTE, TORT, STRICT LIABILITY, NEGLIGENCE, OR OTHERWISE.**

Banner Engineering Corp. reserves the right to change, modify or improve the design of the product without assuming any obligations or liabilities relating to any product previously manufactured by Banner Engineering Corp. Any misuse, abuse, or improper application or installation of this product or use of the product for personal protection applications when the product is identified as not intended for such purposes will void the product warranty. Any modifications to this product without prior express approval by Banner Engineering Corp will void the product warranties. All specifications published in this document are subject to change; Banner reserves the right to modify product specifications or update documentation at any time. Specifications and product information in English supersede that which is provided in any other language. For the most recent version of any documentation, refer to:

[www.bannerengineering.com](http://www.bannerengineering.com).

For patent information, see [www.bannerengineering.com/patents](http://www.bannerengineering.com/patents).